



DV4000



DV4000-2



DV4000-3



DV4000-4



MANUAL  
**VIDEO DOOR INTERCOM**  
WITH 7"(18cm) MONITOR

DV4000-Series

Home is not a place, it's a feeling

---

## Content

1. Introduction .....	- 2 -
2. Package contents .....	- 3 -
3. Mounting outdoor unit .....	- 4 -
4. Mounting the monitor .....	- 5 -
4.1 Control Regulators .....	- 6 -
4.2 Functions of the monitor .....	- 6 -
5. Wiring diagrams .....	- 7 -
5.1 Second monitor .....	- 10 -
5.2 Extra bell push .....	- 10 -
5.3 Potential free contacts 7 & 8 .....	- 10 -
6. Specifications .....	- 11 -
7. Safety & Warnings .....	- 11 -
8. Symbols .....	- 12 -

---

## 1. Introduction

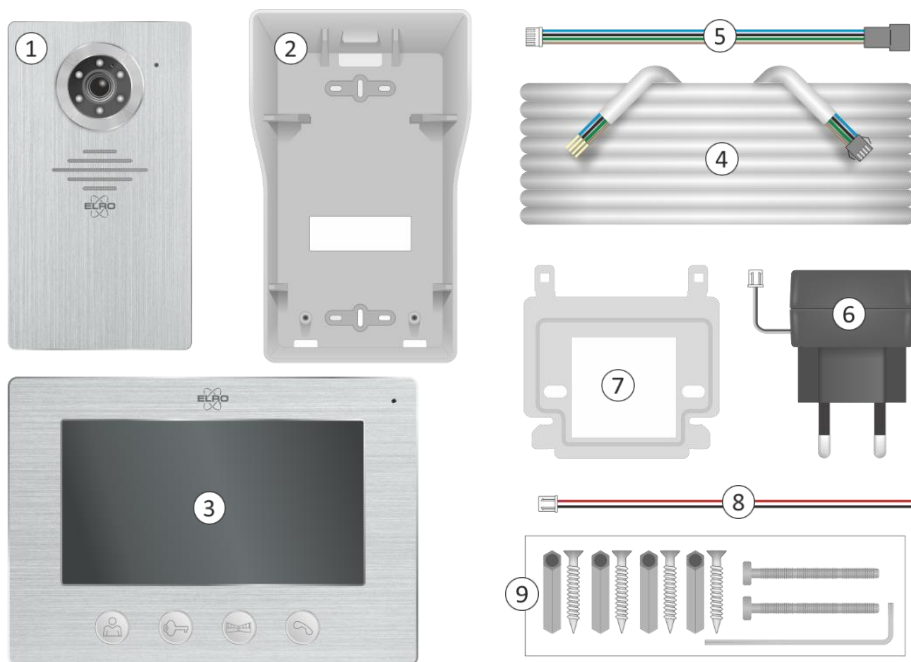
Please read this manual before you start mounting and installing the **VIDEO DOOR INTERCOM**. The set has an outdoor unit with brushed aluminum finish and a protective heavy metal rain cover for mounting on the wall. For indoor use a nicely designed monitor in brushed aluminum is included.

- The camera has a viewing angle of 60° horizontally/45° vertically and has 6 white LEDs for optimal night viewing up to at least two meters away from the camera.
- The outdoor unit has a nameplate that lights up when the call button is pressed.
- A twilight switch activates the 6 white LEDs in the dark.
- The monitor has an 18 cm LCD screen.
- There are 16 ringtones available from which you can choose.
- You can adjust the volume, brightness and color intensity to your preference.
- The system provides a 12V DC voltage for an electric door opener.
- There is a potential-free contact for switching, for example, a gate or fence with its own power supply.
- For the connection of an electric door opener use a 2 core cable with a thickness of 0.2 mm<sup>2</sup> per wire. See the wiring diagram in this manual on page 7/8.
- There is a 2-core cable with a plug supplied for the connection of an electric door opener through the outdoor unit. Please note that in this case, the outside door only gives access to a common room / staircase and not directly the access to your home.
- A built-in box is available as an accessory via [www.elro.eu](http://www.elro.eu) or via the retailer where you purchased this set.



## 2. Package contents

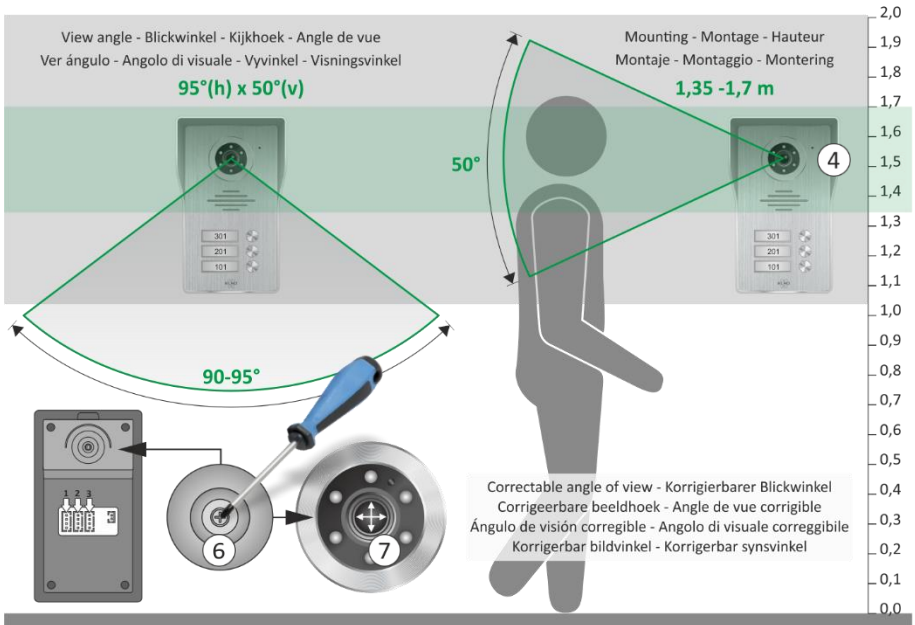
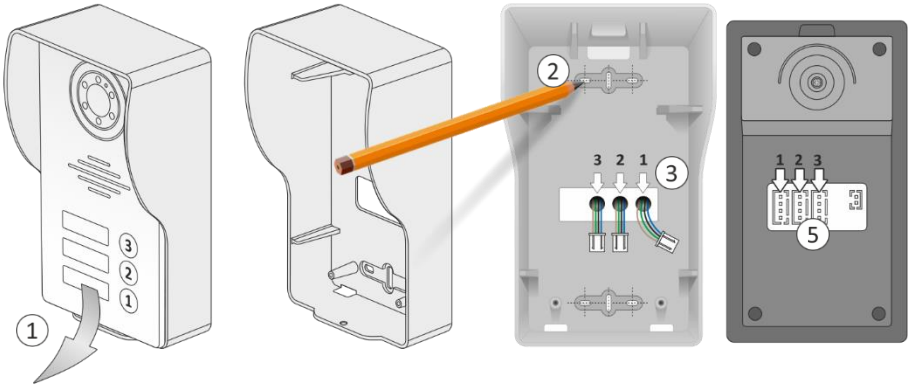
1. Outdoor unit with bell pushers and camera
2. Rain shelter
3. Monitor
4. Connection cable length 15 m
5. Connection cable
6. Adapter with 1.75 m cord
7. Mounting bracket
8. Connection cable for electric door opener
9. Screws, plugs and Allen wrench



DV4000	1	1		1	1	1	1	1	1
DV4000-2	2	2		2	2	2	1	1	2
DV4000-3	3	3		3	3	3	1	1	3
DV4000-4	4	4		4	4	4	1	1	4
Content Inhalt Inhoud Contenu				15 m 	17 cm 	1,75 m 	15 cm 		

### 3. Mounting outdoor unit

- Remove the outdoor unit (1) from the rain-sun shade and use it to mark drill holes for mounting on the wall (2).
- The shade must be mounted flush with the entire rear side of the wall/wall.
- Drill one or more holes (3) to connect the connection cables through the wall/wall to the outdoor unit.

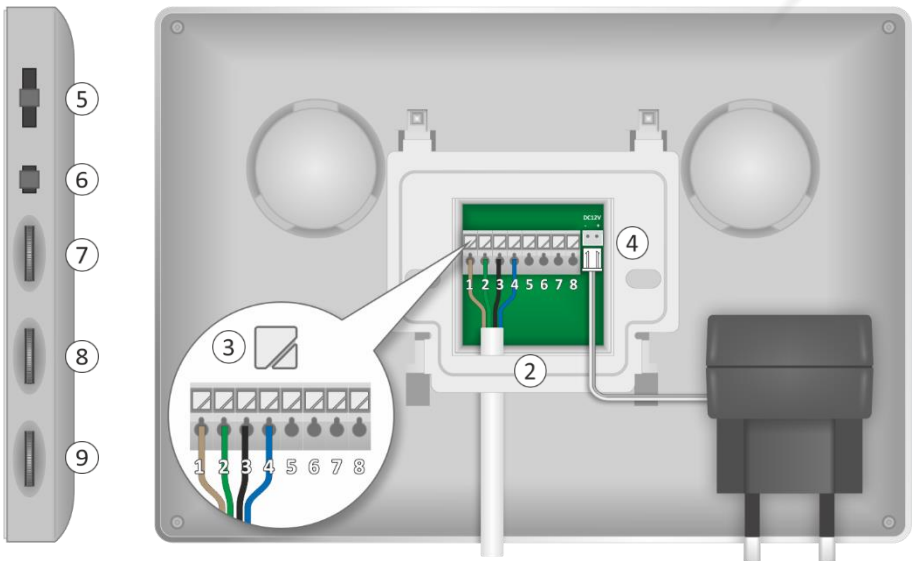
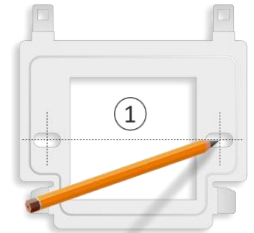


- We recommend a mounting height (4) between 1,35 and 1,70 meters.
- Try to avoid direct exposure to sunlight.
- Plug the connection cables into the respective slots (5).
- After mounting, the angle of view of the camera can be corrected if necessary. Use a screwdriver (6) to loosen the screw a little and point (7) the camera to correct the image.
- On the underside of the outdoor unit is an Allen screw (8) which you can unscrew with the supplied Allen key. Carefully remove the aluminum front plate, rock the transparent plastic cover with a flat screwdriver. You can now put your house number(s) on a piece of paper.
- Use the Allen key to screw the outdoor unit into the rainshade.



#### 4. Mounting the monitor

- The supplied cable is 15 meters, take this into account the location of the monitor.
- Mount the mounting bracket (1) on the wall and take into account that the connections of the outdoor unit, the 12V DC adapter and possibly the electric door lock have to be made on the back of the monitor.



- 
- The mounting bracket provides exactly the space to connect the 4 core connection cable (2) between the monitor and bracket. Press (3) to open the clamp contact:
    - 1 brown = Audio
    - 2 green = Ground
    - 3 black = Video
    - 4 blue = Power
  - Plug the adapter plug (4) into the DC12V connection.
  - Now you can place the monitor on the mounting bracket and carefully slide it down, think of the cabling.

#### 4.1 Control Regulators

The following controls are located on the side of the monitor:

- Ringer volume (5), adjustable in 3 steps.
- Ringtone selection (6), choice of 16 ringtones.
- Brightness (7), controls the image from bright to dark.
- Chroma (8), which controls the intensity from color to black and white.
- Speech volume (9).

#### 4.2 Functions of the monitor



With this button you can look "outward" at any time. After 40 seconds, the monitor automatically switches off again. If you want to stop prematurely, press the button with the receiver twice.



This allows you to switch an electric door opener. After pressing this button, a 12V DC voltage is released. The connection is via terminal contacts 5 and 6 of the monitor or by means of the 2 wire cord via the outdoor unit.

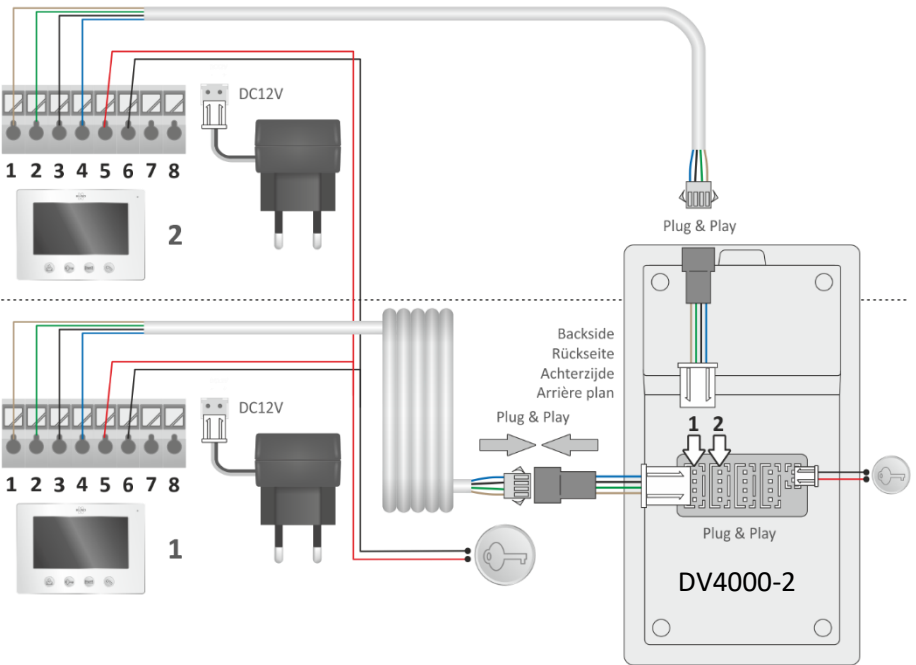
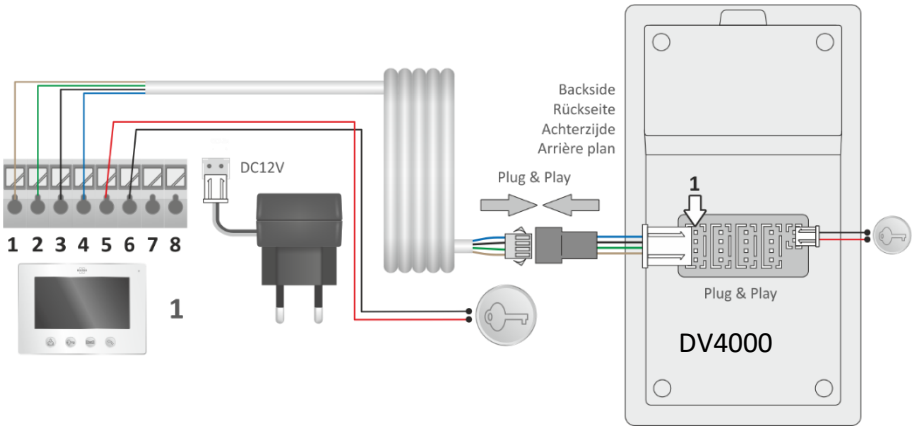


With this button you switch the potential free terminals 7 and 8. Here you connect a port/ gate opener with its own power supply.

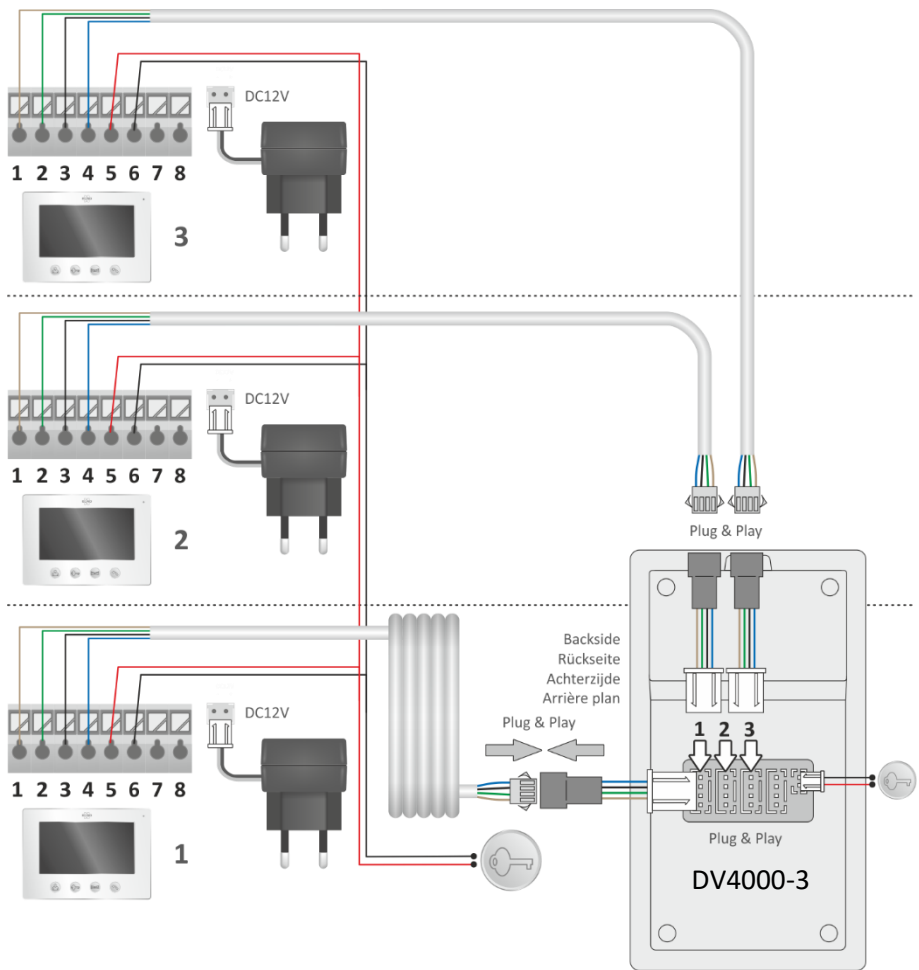


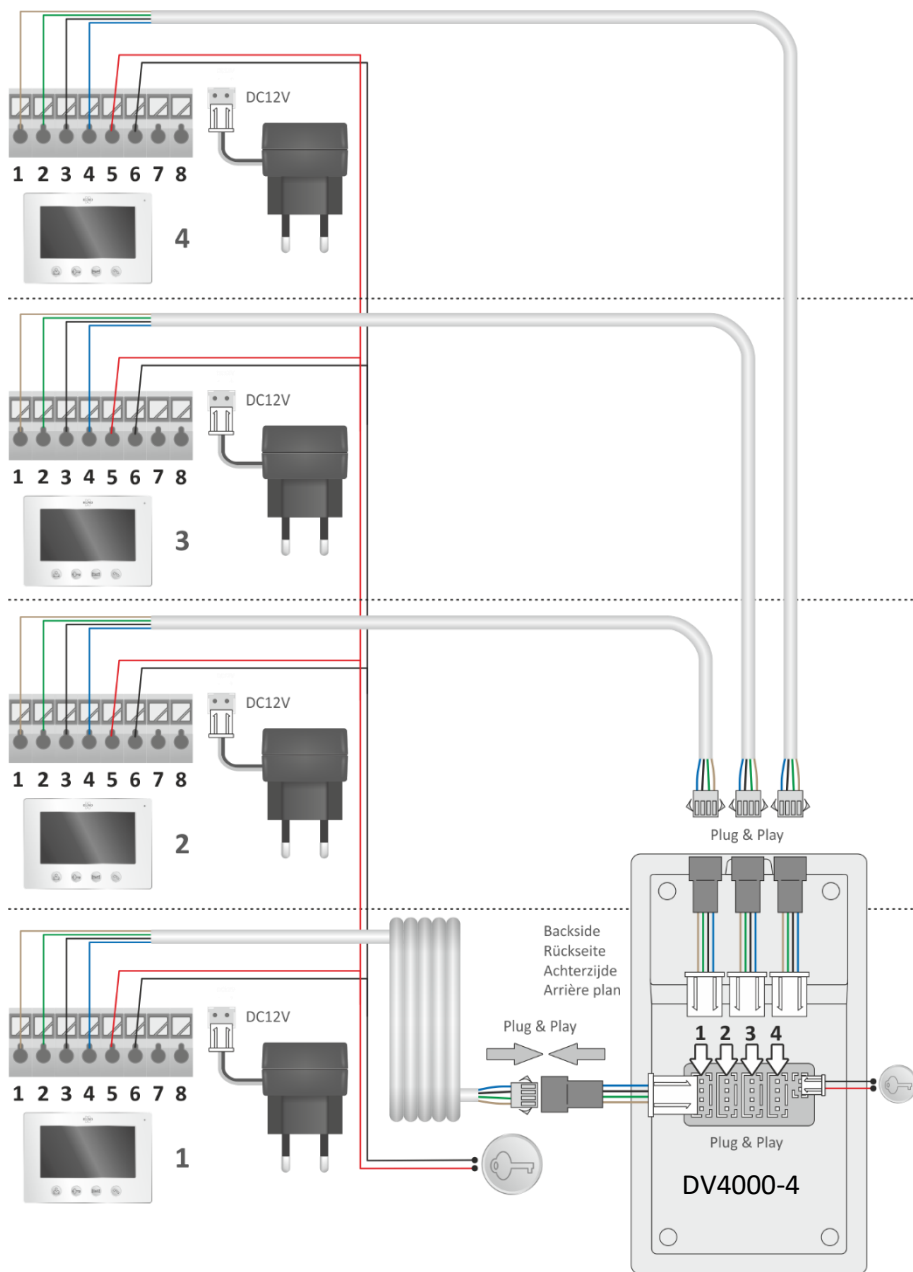
When a visitor logs on, the monitor switches on automatically. Press this key to start a call. Press again to end the call, the monitor automatically turns off.

## 5. Wiring diagrams



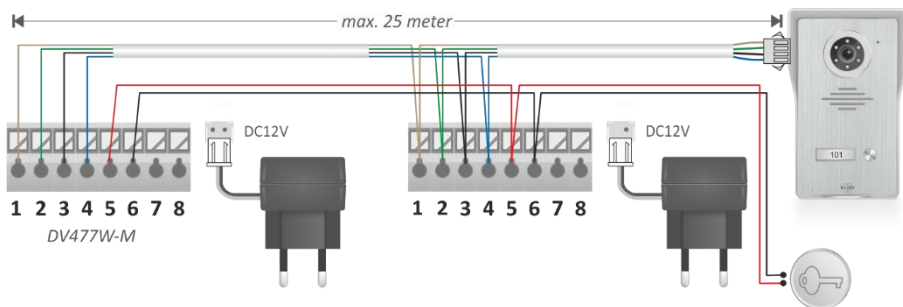






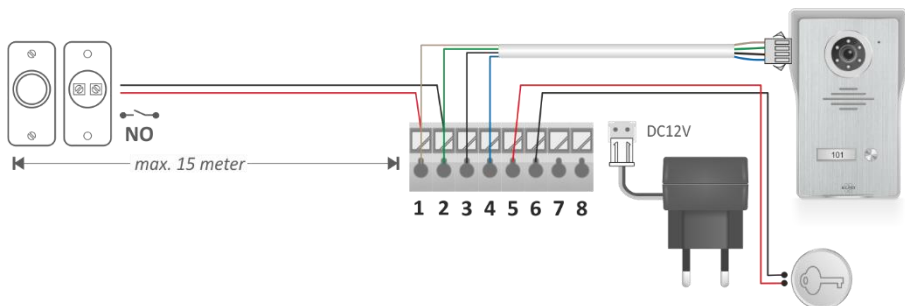
## 5.1 Second monitor

It is possible to connect a second monitor to the existing monitor, see the diagram below. This monitor is supplied with 15 meter connection cable, mounting and an adapter for the power supply. Please note that this second monitor should not be mounted more than 25 meters away from the outdoor unit.



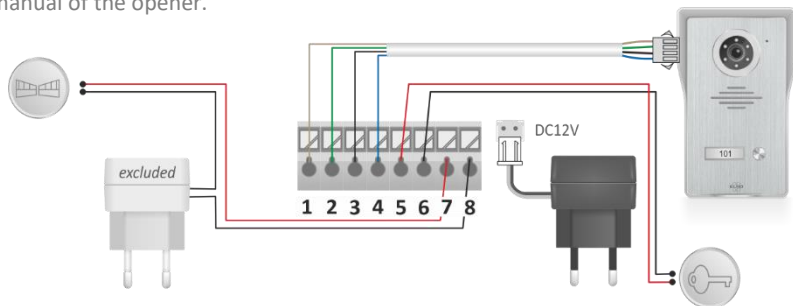
## 5.2 Extra bell push

For the back door, or any other access, a bell push can be connected to the monitor. If this is pressed, the monitor will play the call melody, note that the camera is also activated with this.



## 5.3 Potential free contacts 7 & 8

A gate or fence opener with its own power supply can be connected to 7 & 8. Please refer to the user manual of the opener.



---

## 6. Specifications

### MONITOR

Resolution	1024 x 600
Size	18 cm (7")
Observation time	40 seconds
Talk time	120 seconds
Power Consumption	In rest ≤ 4.5W, Operating State ≤ 9.5W
Adapter	Input AC100-240V Output DC12V, 2A, 24W
Cable length	15 m; 4 x 0,2 mm
Dimensions	214 x 152 x 17 mm
Number of ringtones	16

### BUITENUNIT

Resolution	700 TV lines
Viewing angle	90° horizontal /50° vertical
Working temperature	-10°C ~50°C
Humidity	10%~90%(RH)
Night view	6 x white light led's, 2 meters
Dimensions (rain shade)	122 x 206 x 79 mm

## 7. Safety & Warnings

- Only use the product for its intended purpose and as described in this document. Please read this information carefully before using the product. Keep the booklet for future reference if necessary. Improper use may result in danger or serious injury.
- If you install this product for others, remember to leave the manual or a copy of it for the end user.
- This product is not a toy and should be kept out of the reach of children
- Keep the packaging materials (plastic bags, cardboard buffers, etc.) out of the reach of children. The packaging materials are not toys. Plastic bags and foils can pose choking hazards. Thin films may stick to the nose and mouth and obstruct breathing.
- Only use the adapter and cabling supplied.
- Check that the voltage indicated on the adapter matches the local mains voltage before connecting the appliance.
- Do not remove any markings or make any changes to the adapter, a dangerous situation may occur.
- If the adapter is damaged, always replace it (or have it replaced) with an adapter of the original type to avoid danger

- 
- Do not attempt to repair, disassemble, reconstruct or modify the electrical or mechanical parts of this product. This will void the warranty and may result in malfunctions and electric shock.
  - Handle the devices with care. Shocks, bumps or a fall, even from a low height, can damage the devices.
  - Do not use the product if any part is damaged or defective. Replace a damaged or defective product immediately.
  - Disconnect the product from the power source and other equipment if problems occur.
  - Make sure your hands are dry when grabbing adapters, plugs or a power cord, disconnecting equipment or turning on and off.
  - Do not expose the product to water or moisture and running or splashing liquid. Also, do not place liquid-filled objects on the product.
  - Do not clean when the device is connected to the mains. Use a soft, clean and dry cloth during cleaning to avoid damage. Do not use (aggressive and/or chemical) cleaning agents or abrasives.
  - Do not place the camera directly in the sun or opposite a reflective surface
  - If you want to test the product before installation, make sure that the street unit and the monitor are not in the same room when doing so, otherwise the videophone may emit a shrill whistling tone (Larsen effect)
  - Observe the operating temperature of the product.

**Note:**

- To prevent damage, install the devices according to the instructions.
- Place the AC adapter in an accessible location where it can be disconnected.
- Use the supplied cables.

## 8. Symbols



Recycling and Disposal: The WEEE symbol means that this product and batteries must be disposed of separately from household waste. When this product reaches the end of its life, take it to a designated waste collection point nearby to ensure safe disposal or recycling. Protect the environment and human health, use natural resources responsibly!



Read the manual before use and keep it in a safe place for future use and maintenance.



Guarantee visit [www.elro.eu](http://www.elro.eu)



ELRO Europe | [www.elro.eu](http://www.elro.eu)

Postbus 9607 - Box E800

1006 GC Amsterdam - The Netherlands

