



DV477W



DV477W2



DV477W3



DV477W4



MANUAL
VIDEO DOOR INTERCOM
WITH 7"(18cm) MONITOR

DV477W-Series

Home is not a place, it's a feeling

Content

1. Introduction	- 2 -
2. Package contents	- 3 -
3. Mounting outdoor unit	- 4 -
4. Mounting the monitor	- 5 -
4.1 Control Regulators	- 6 -
4.2 Functions of the monitor	- 6 -
5. Wiring diagrams	- 7 -
5.1 Second monitor DV477W-M	- 10 -
5.2 Extra bell push	- 10 -
5.3 Potential free contacts 7 & 8	- 10 -
6. Specifications	- 11 -
7. Safety instructions	- 11 -
8. Symbols	- 12 -

1. Introduction

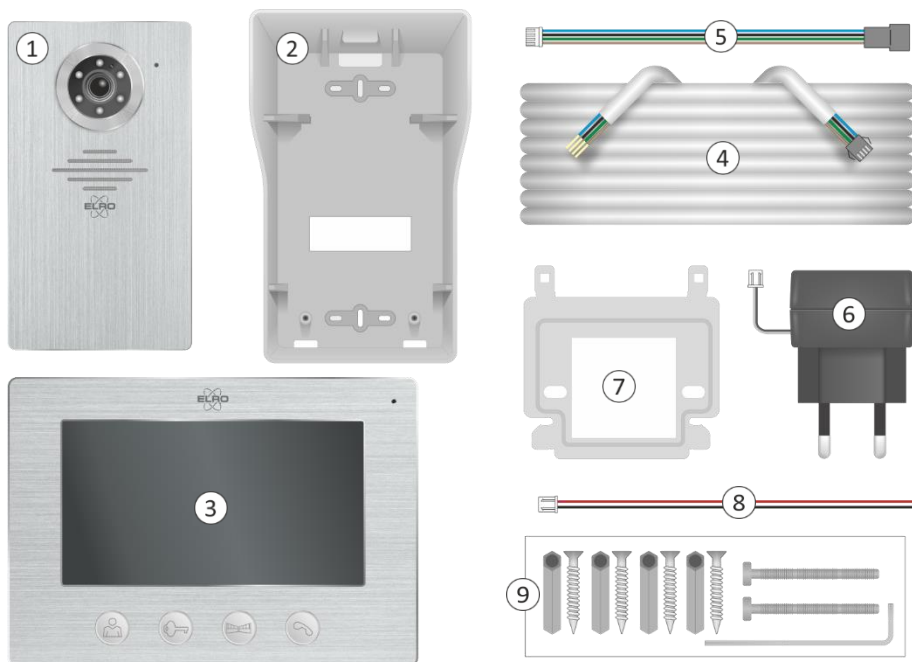
Please read this manual before you start mounting and installing the **VIDEO DOOR INTERCOM**. The set has an outdoor unit with brushed aluminum finish and a protective heavy metal rain cover for mounting on the wall. For indoor use a nicely designed monitor in brushed aluminum is included.

- The camera has a viewing angle of 60° horizontally/45° vertically and has 6 white LEDs for optimal night viewing up to at least two meters away from the camera.
- The outdoor unit has a nameplate that lights up when the call button is pressed.
- A twilight switch activates the 6 white LEDs in the dark.
- The monitor has an 18 cm LCD screen.
- There are 16 ringtones available from which you can choose.
- You can adjust the volume, brightness and color intensity to your preference.
- The system provides a 12V DC voltage for an electric door opener.
- There is a potential-free contact for switching, for example, a gate or fence with its own power supply.
- For the connection of an electric door opener use a 2 core cable with a thickness of 0.2 mm² per wire. See the wiring diagram in this manual on page 7/8.
- There is a 2-core cable with a plug supplied for the connection of an electric door opener through the outdoor unit. Please note that in this case, the outside door only gives access to a common room / staircase and not directly the access to your home.
- A built-in box (ELRO DV47EB) is available as an accessory via www.elro.eu or via the retailer where you purchased this set.



2. Package contents

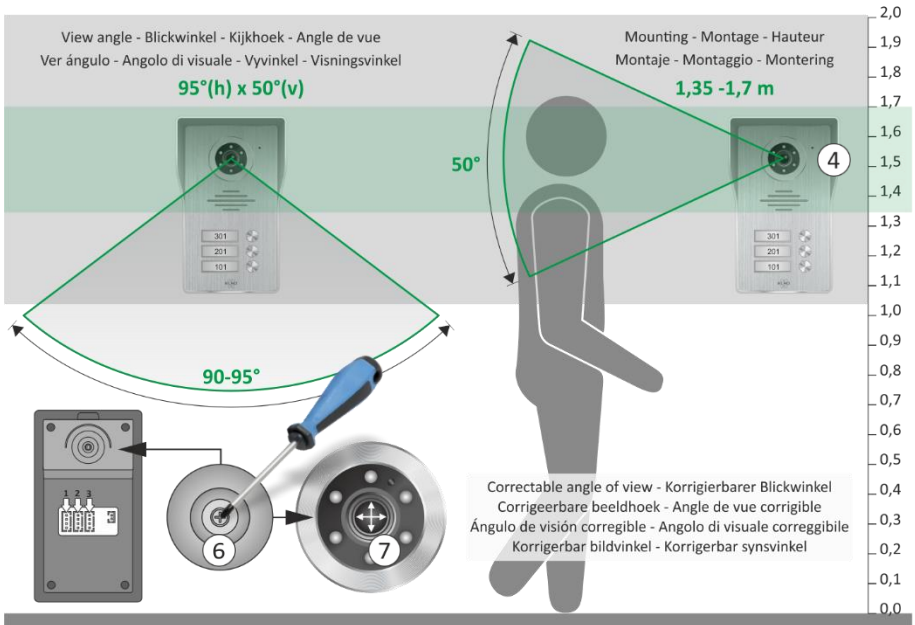
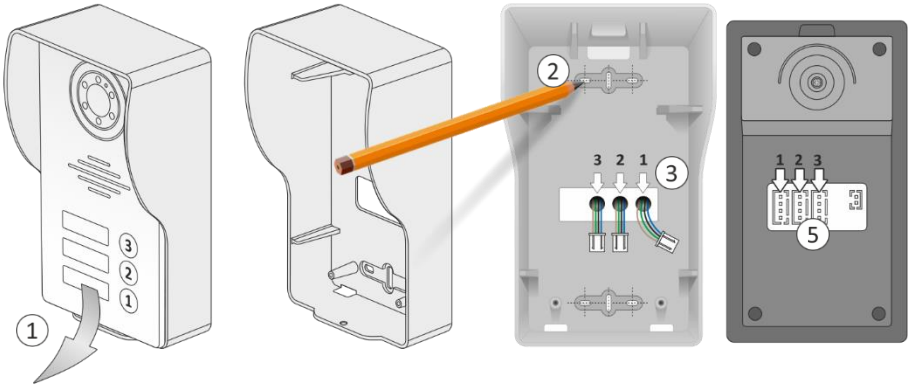
1. Outdoor unit with bell pushers and camera
2. Rain shelter
3. Monitor
4. Connection cable length 15 m
5. Connection cable
6. Adapter with 1.75 m cord
7. Mounting bracket
8. Connection cable for electric door opener
9. Screws, plugs and Allen wrench



DV477W	1	1		1	1	1	1	1	1
DV477W2	2	2		2	2	2	1	1	2
DV477W3	3	3		3	3	3	1	1	3
DV477W4	4	4		4	4	4	1	1	4
Content Inhalt Inhoud Contenu				15 m 	17 cm 	1,75 m 	15 cm 		

3. Mounting outdoor unit

- Remove the outdoor unit (1) from the rain-sun shade and use it to mark drill holes for mounting on the wall (2).
- The shade must be mounted flush with the entire rear side of the wall/wall.
- Drill one or more holes (3) to connect the connection cables through the wall/wall to the outdoor unit.

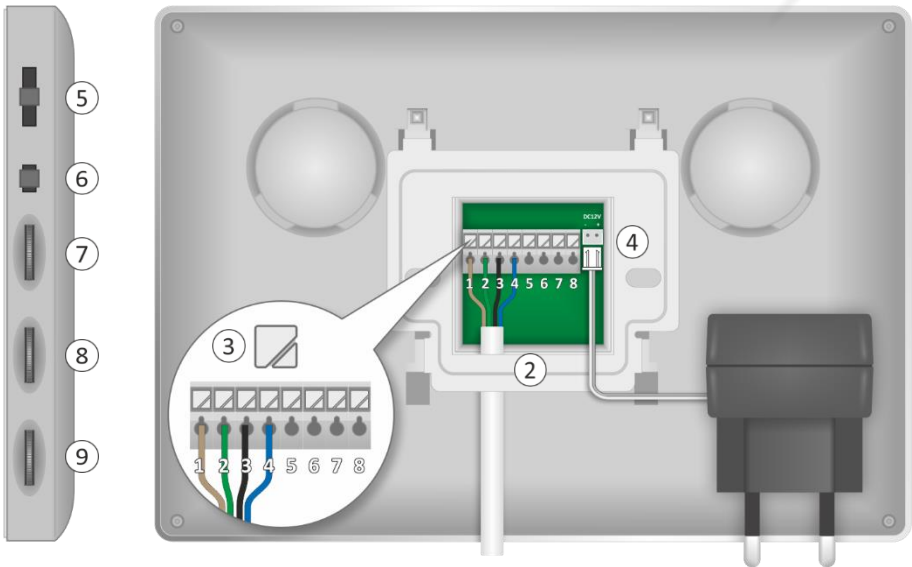
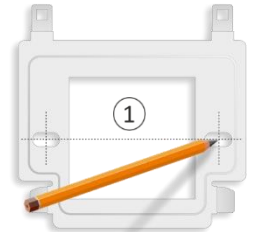


- We recommend a mounting height (4) between 1,35 and 1,70 meters.
- Try to avoid direct exposure to sunlight.
- Plug the connection cables into the respective slots (5).
- After mounting, the angle of view of the camera can be corrected if necessary. Use a screwdriver (6) to loosen the screw a little and point (7) the camera to correct the image.
- On the underside of the outdoor unit is an Allen screw (8) which you can unscrew with the supplied Allen key. Carefully remove the aluminum front plate, rock the transparent plastic cover with a flat screwdriver. You can now put your house number(s) on a piece of paper.
- Use the Allen key to screw the outdoor unit into the rainshade.



4. Mounting the monitor

- The supplied cable is 15 meters, take this into account the location of the monitor.
- Mount the mounting bracket (1) on the wall and take into account that the connections of the outdoor unit, the 12V DC adapter and possibly the electric door lock have to be made on the back of the monitor.



-
- The mounting bracket provides exactly the space to connect the 4 core connection cable (2) between the monitor and bracket. Press (3) to open the clamp contact:
 - 1 brown = Audio
 - 2 green = Ground
 - 3 black = Video
 - 4 blue = Power
 - Plug the adapter plug (4) into the DC12V connection.
 - Now you can place the monitor on the mounting bracket and carefully slide it down, think of the cabling.

4.1 Control Regulators

The following controls are located on the side of the monitor:

- Ringer volume (5), adjustable in 3 steps.
- Ringtone selection (6), choice of 16 ringtones.
- Brightness (7), controls the image from bright to dark.
- Chroma (8), which controls the intensity from color to black and white.
- Speech volume (9).

4.2 Functions of the monitor



With this button you can look "outward" at any time. After 40 seconds, the monitor automatically switches off again. If you want to stop prematurely, press the button with the receiver twice.



This allows you to switch an electric door opener. After pressing this button, a 12V DC voltage is released. The connection is via terminal contacts 5 and 6 of the monitor or by means of the 2 wire cord via the outdoor unit.

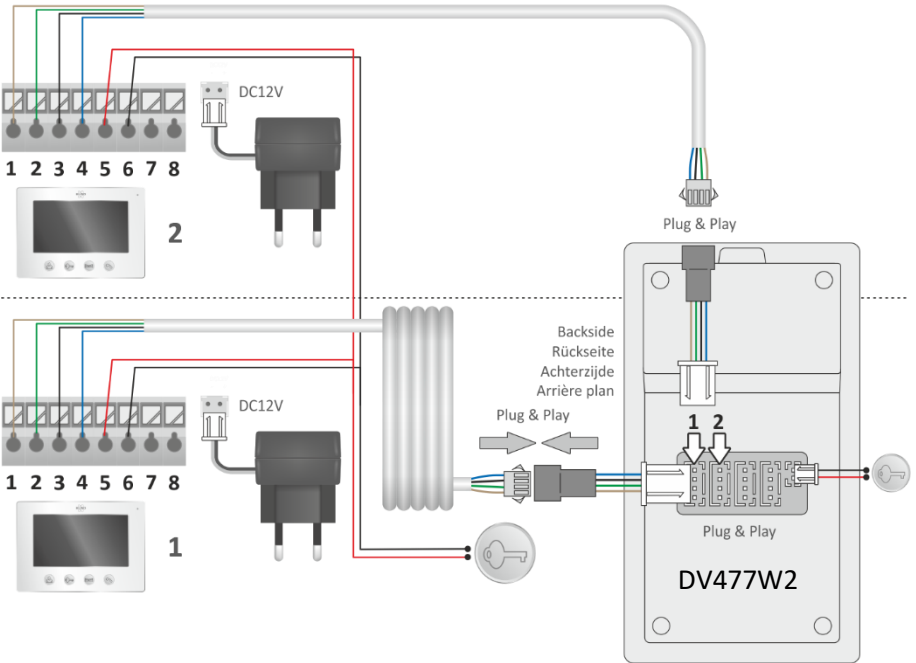
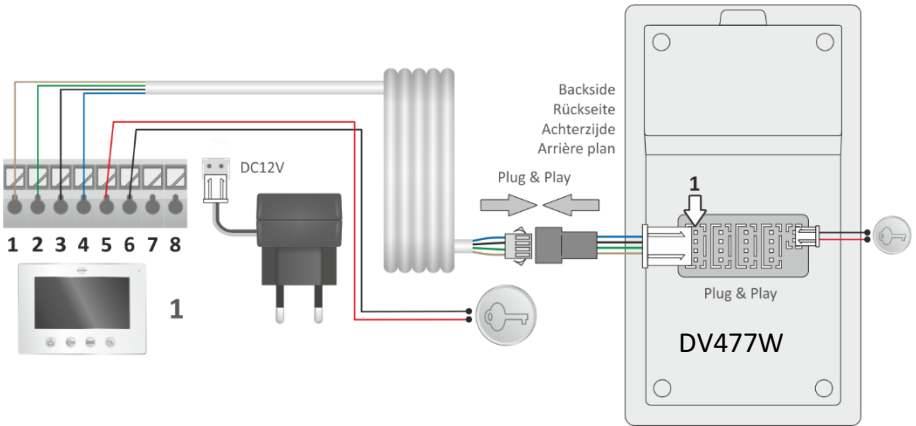


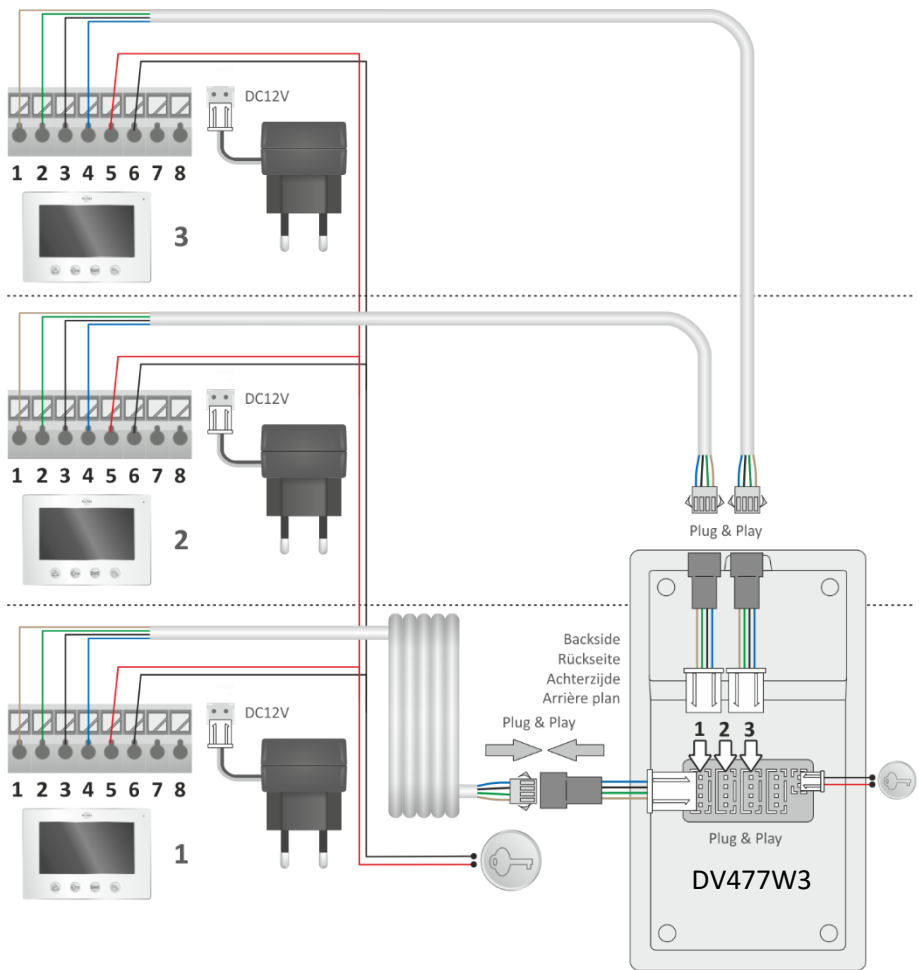
With this button you switch the potential free terminals 7 and 8. Here you connect a port/ gate opener with its own power supply.

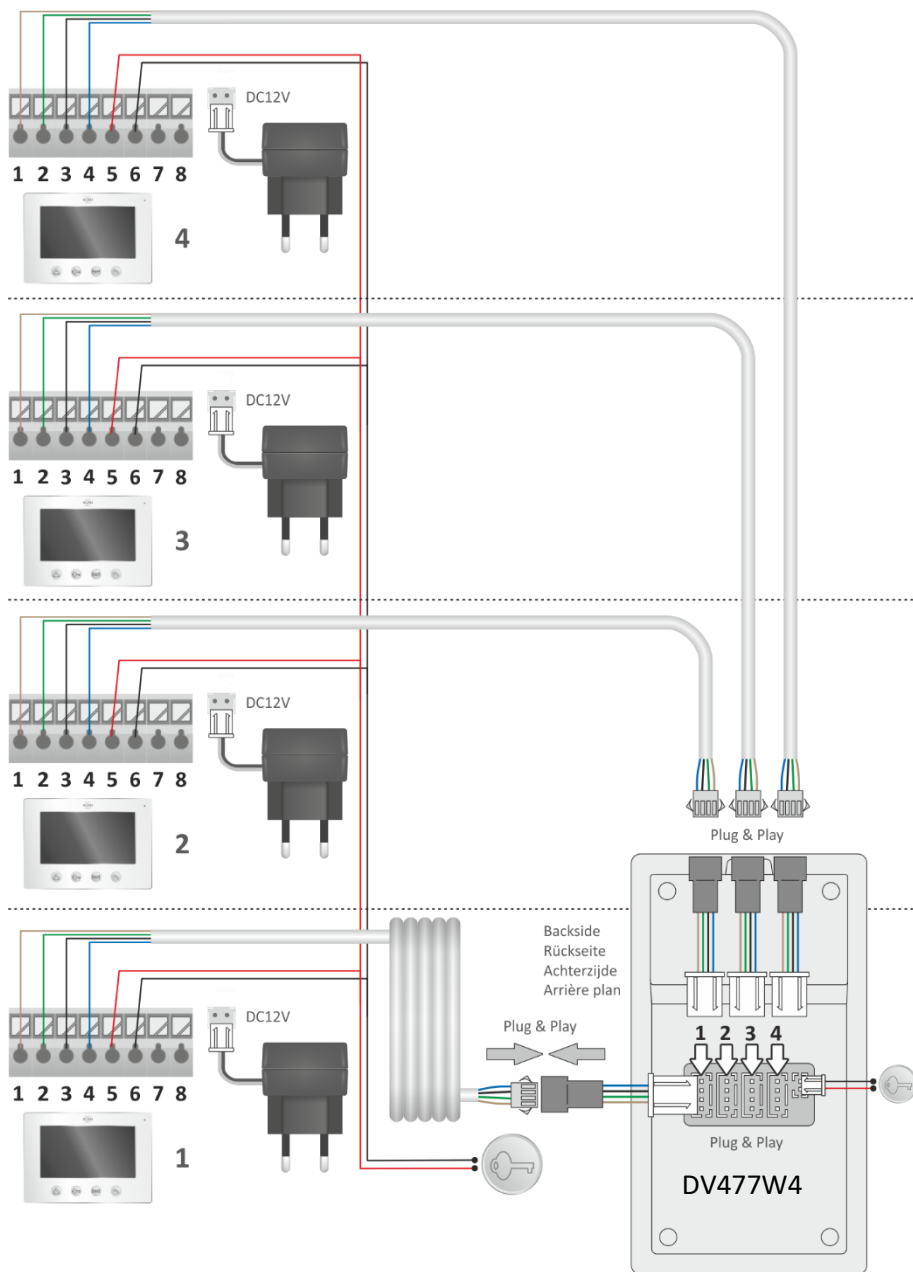


When a visitor logs on, the monitor switches on automatically. Press this key to start a call. Press again to end the call, the monitor automatically turns off.

5. Wiring diagrams

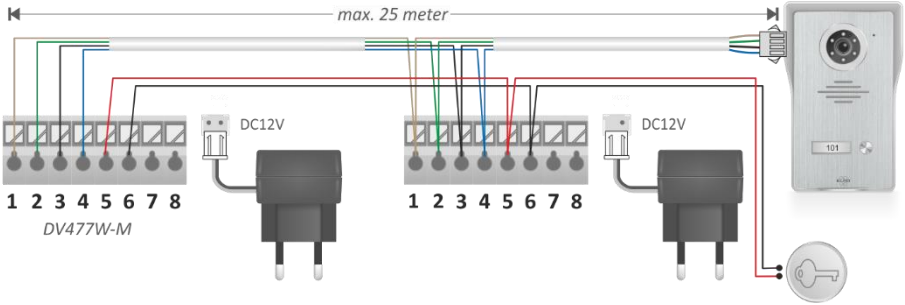






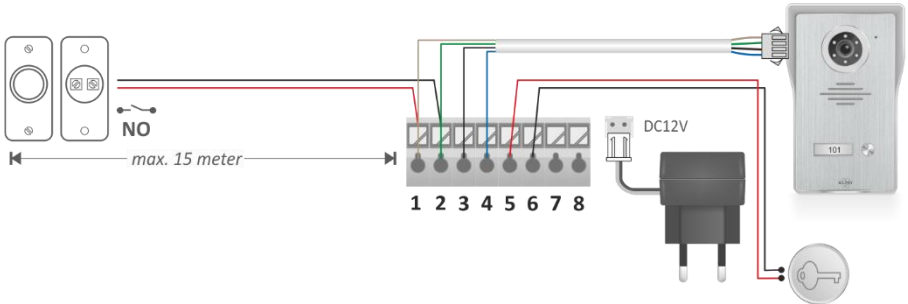
5.1 Second monitor DV477W-M

It is possible to connect a second monitor to the existing monitor, see the diagram below. This monitor is supplied with 15 meter connection cable, mounting and an adapter for the power supply. Please note that this second monitor should not be mounted more than 25 meters away from the outdoor unit.



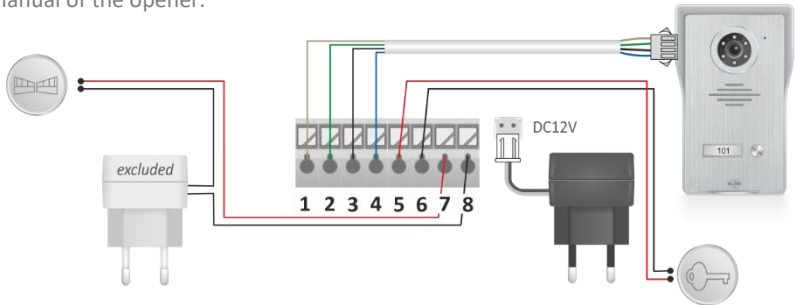
5.2 Extra bell push

For the back door, or any other access, a bell push can be connected to the monitor. If this is pressed, the monitor will play the call melody, note that the camera is also activated with this.



5.3 Potential free contacts 7 & 8

A gate or fence opener with its own power supply can be connected to 7 & 8. Please refer to the user manual of the opener.



6. Specifications

MONITOR

Resolution	1024 x 600
Size	18 cm (7")
Observation time	40 seconds
Talk time	120 seconds
Power Consumption	In rest ≤ 4.5W, Operating State ≤ 9.5W
Adapter	Input AC100-240V Output DC12V, 2A, 24W
Cable length	15 m; 4 x 0,2 mm
Dimensions	214 x 152 x 17 mm
Number of ringtones	16

BUITENUNIT

Resolution	700 TV lines
Viewing angle	90° horizontal /50° vertical
Working temperature	-10°C ~50°C
Humidity	10%~90%(RH)
Night view	6 x white light led's, 2 meters
Dimensions (rain shade)	122 x 206 x 79 mm

7. Safety instructions

- Do not install the equipment in an environment of high temperature or high humidity.
- Do not place the equipment near televisions, as signals from televisions and the intercom may interfere with each other.
- Do not touch the equipment with wet hands.
- Do not throw, drop, or otherwise damage the equipment.
- Clean the equipment with a soft cloth. Do not use any polish, thinner, or caustic agents.
- Do not expose the camera to direct sunlight.
- Use the product in a situation where there is no interference.
- When a car or motorcycle passes by, the image may become blurred or disappear due to interference from radio waves.

Note:

- To prevent damage, install the devices according to the instructions.
- Place the AC adapter in an accessible location where it can be disconnected.
- Use the supplied cables.

8. Symbols



Recycling and Disposal: The WEEE symbol means that this product and batteries must be disposed of separately from household waste. When this product reaches the end of its life, take it to a designated waste collection point nearby to ensure safe disposal or recycling. Protect the environment and human health, use natural resources responsibly!



Read the manual before use and keep it in a safe place for future use and maintenance.



Guarantee visit www.elro.eu



ELRO Europe | www.elro.eu

Postbus 9607 - Box E800

1006 GC Amsterdam - The Netherlands

